

REPAIR PARTS

AWUF Air Handler

AWUF180316BG
AWUF180516BG
AWUF180816BG
AWUF190316BB
AWUF190516BB
AWUF190816BB
AWUF240516BG
AWUF240816BG
AWUF241016BG
AWUF250316AD
AWUF250516AD
AWUF250816AD
AWUF251016AD
AWUF300516BG
AWUF300816BG
AWUF301016BG
AWUF310516AG
AWUF310816AF
AWUF321016AF
AWUF360516BG
AWUF360816BG
AWUF361016BG
AWUF370516BF
AWUF370816BF
AWUF371016BF



This manual is to be used by qualified technicians only.

© 2022 Goodman Manufacturing Company, L.P. ♦ 5151 San Felipe St, Suite 500 ♦ Houston, TX 77056

Important Information

Index

Functional Parts List	3
Illustration and Parts	4 - 11

Views shown are for parts illustrations only, not servicing procedures.

Text Codes:

AR - As Required

NA - Not Available

NS - Not Shown

00000000 - See Note

QTY - Quantity Example (QTY 3) (If Quantity not shown, Quantity = 1)

M - Model Example (M1) (If M Code not shown, then part is used on all Models)

Expanded Model Nomenclature:

Example M1 - Model#1 M2 - Model#2 M3 - Model#3

Goodman Manufacturing Company, L.P. is not responsible for personal injury or property damage resulting from improper service. Review all service information before beginning repairs.

Warranty service must be performed by an authorized technician, using authorized factory parts. If service is required after the warranty expires, Goodman Manufacturing Company, L.P. also recommends contacting an authorized technician and using authorized factory parts.

Goodman Manufacturing Company, L.P. reserves the right to discontinue, or change at any time, specifications or designs without notice or without incurring obligations.

For assistance within the U.S.A. contact:
Homeowner Support
Goodman Manufacturing Company, L.P.
19001 Kermier Road
Waller, Texas 77484
877-254-4729-Telephone
713-863-2382-Facsimile

For assistance outside the U.S.A. contact:
International Division
Goodman Manufacturing Company, L.P.
19001 Kermier Road
Waller, Texas 77484
713-861-2500-Telephone
713-863-2382-Facsimile

Functional Parts

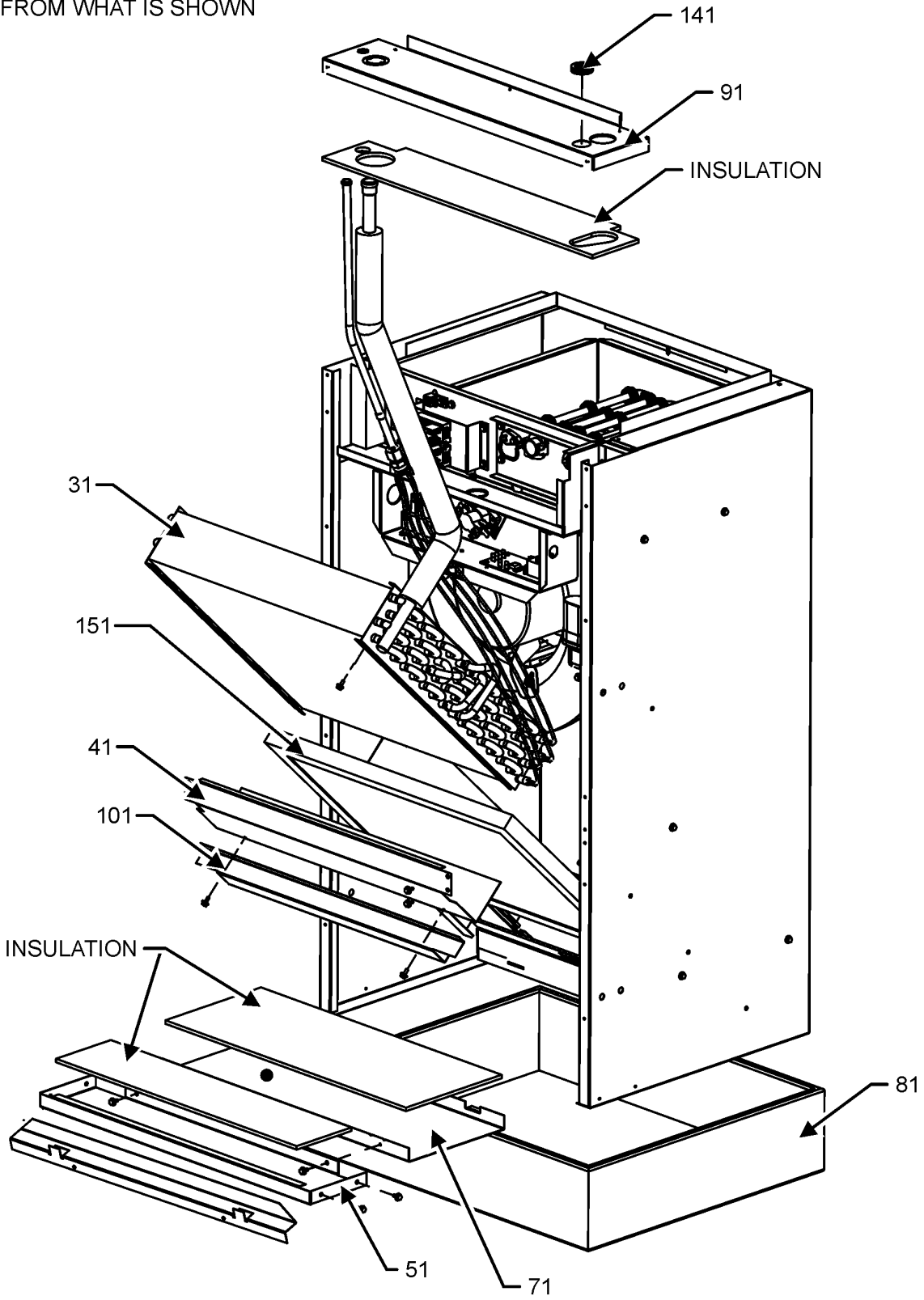
Part No: **Description:**

Part No:	Description:	Expanded Model Nomenclature
BT1420028	ASM, HEATER(SMALL 3KW) (M1, M4, M10)	M1 - AWUF180316BG
CAP075000370LA	CAPACITOR 7.5/370V (M1, M2, M3, M7, M8, M9, M14, M15, M16, M20, M21, M22)	M2 - AWUF180516BG
CONT2P040024V	CONTACTOR 40 AMP, 2P, 24V	M3 - AWUF180816BG
BT1420032	ELEMENT, 4.8 KW LARGE HEATER (M14, M17, M20, M23)	M4 - AWUF190316BB
BT1420029	ELEMENT, 4.8 KW SMALL HEATER (M2, M5, M7, M11)	M5 - AWUF190516BB
BT1420033	ELEMENT, 7.3 KW HEATER (M15, M21)	M6 - AWUF190816BB
BT1420030	ELEMENT, 7.3 KW SMALL HEATER (M3, M6, M8, M12)	M7 - AWUF240516BG
BT1420040	ELEMENT, 7.3KW HEATER (M18, M24)	M8 - AWUF240816BG
BT1420034	ELEMENT, 9.8 KW HEATER (M16, M22)	M9 - AWUF241016BG
BT1420031	ELEMENT, 9.8 KW SMALL HEATER (M9, M13)	M10 - AWUF250316AD
BT1420039	ELEMENT, 9.8KW HEATER (M19, M25)	M11 - AWUF250516AD
0131M00879	MOTOR (M4, M5, M6)	M12 - AWUF250816AD
BT1340031	MOTOR, 1/3HP, 2SP, 6PL (M14, M15, M16, M20, M21, M22)	M13 - AWUF251016AD
0131A00032	MOTOR, 1/5HP, 2SP, 6PL (M7, M8, M9)	M14 - AWUF300516BG
0131A00026	MOTOR, 1/5HP, 2SP,6PL (M1, M2, M3)	M15 - AWUF300816BG
0131M00739	MOTOR,1/3HP BROAD OCEAN (M10, M11, M12, M13)	M16 - AWUF301016BG
0131M01020	MOTOR-PROGRAMMED (M17)	M17 - AWUF310516AG
0131M01021	MOTOR-PROGRAMMED (M18, M19)	M18 - AWUF310816AF
0131M01022	MOTOR-PROGRAMMED (M23, M24, M25)	M19 - AWUF321016AF
PCBFM103	PCB, TIME DELAY, EBTDR (M1, M2, M3, M7, M8, M9, M14, M15, M16, M20, M21, M22)	M20 - AWUF360516BG
0130M00138	TRANSFORMER, 208/230, 24V	M21 - AWUF360816BG
		M22 - AWUF361016BG
		M23 - AWUF370516BF
		M24 - AWUF370816BF
		M25 - AWUF371016BF

EVAPORATOR COIL ASSEMBLY

EVAPORATOR COIL ASSEMBLY

EVAPORATOR COIL ASSEMBLY MAY DIFFER FROM WHAT IS SHOWN



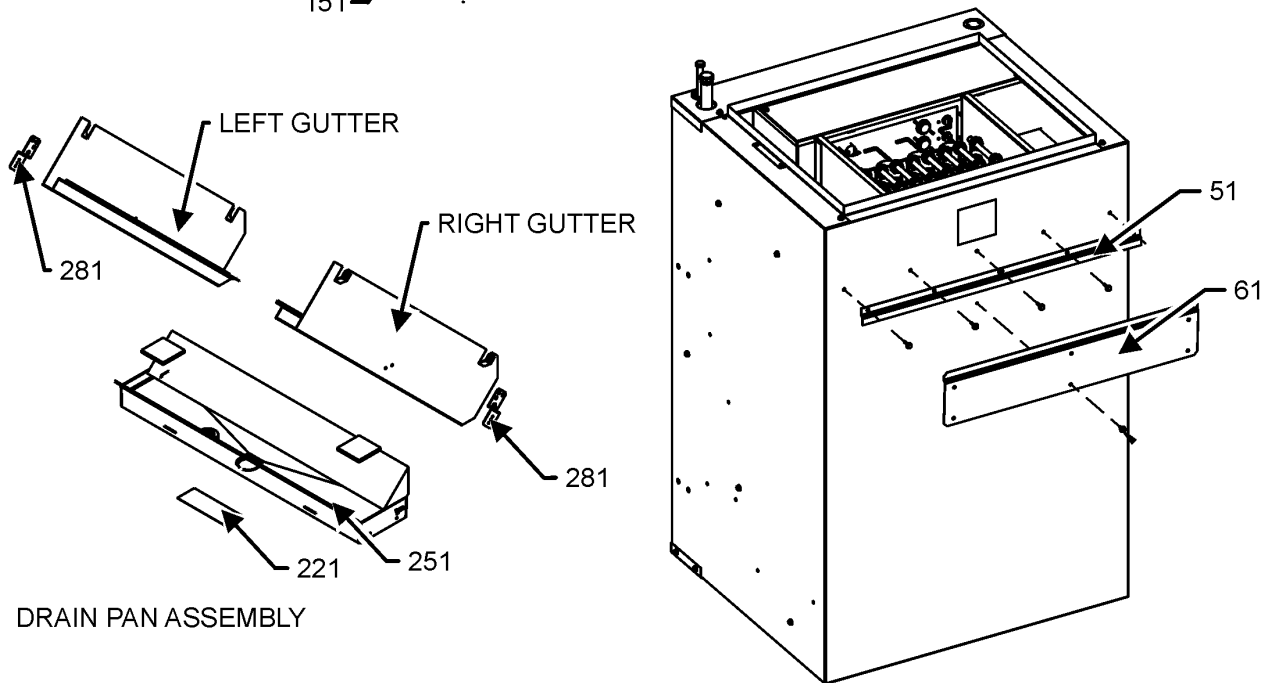
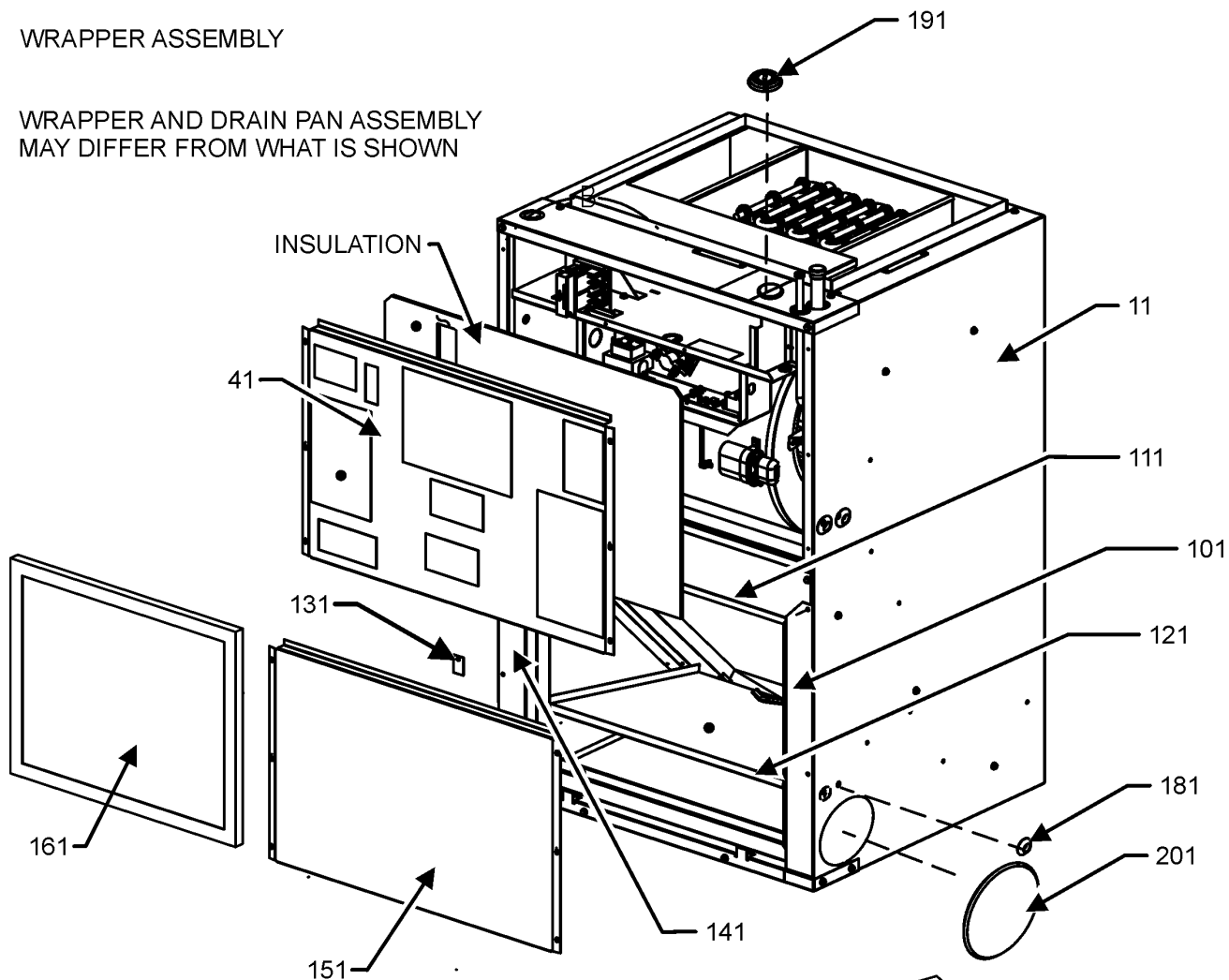
WRAPPER ASSEMBLY

Ref. Part No:	No:	Description:	Ref. Part No:	No:	Description:
<i>Image 1:</i>			Expanded Model Nomenclature		
11	3702005	WRAPPER, LARGE (M14, M15, M16, M17, M18, M19, M20, M21, M22, M23, M24, M25)	M1 -	AWUF180316BG	
11	3702004	WRAPPER, SMALL (M1, M2, M3, M4, M5, M6, M7, M8, M9, M10, M11, M12, M13)	M2 -	AWUF180516BG	
41	3701535	PANEL, LARGE FRONT ACCESS (M14, M15, M16, M17, M18, M19, M20, M21, M22, M23, M24, M25)	M3 -	AWUF180816BG	
41	0121A00450	PANEL, SMALL FRONT ACCESS (M1, M2, M3, M4, M5, M6, M7, M8, M9, M10, M11, M12, M13)	M4 -	AWUF190316BB	
51	3702500	HANGING BRACKET LRG (M14, M15, M16, M17, M18, M19, M20, M21, M22, M23, M24, M25)	M5 -	AWUF190516BB	
51	3702501	HANGING BRACKET SML (M1, M2, M3, M4, M5, M6, M7, M8, M9, M10, M11, M12, M13)	M6 -	AWUF190816BB	
61	3702800	HANGING BRACKET, FIELD	M7 -	AWUF240516BG	
101	0121A01301	BRKT, LEFT FILTER LRG (M14, M15, M16, M17, M18, M19, M20, M21, M22, M23, M24, M25)	M8 -	AWUF240816BG	
111	0121A00042	BRKT, LRG TOP FILTER (M14, M15, M16, M17, M18, M19, M20, M21, M22, M23, M24, M25)	M9 -	AWUF241016BG	
121	3701242	DRIP SHIELD LRG (M14, M15, M16, M17, M18, M19, M20, M21, M22, M23, M24, M25)	M10 -	AWUF250316AD	
131	3701243	BKT, LRG RETAINER (M14, M15, M16, M17, M18, M19, M20, M21, M22, M23, M24, M25)	M11 -	AWUF250516AD	
141	0121A01302	BRKT, RIGHT FILTER (M14, M15, M16, M17, M18, M19, M20, M21, M22, M23, M24, M25)	M12 -	AWUF250816AD	
151	3701505	LOWER ACCESS PANEL-FRONT (M1, M2, M3, M4, M5, M6, M7, M8, M9, M10, M11, M12, M13)	M13 -	AWUF251016AD	
161	0160L00139	AIR FILTER (M1, M2, M3, M4, M5, M6, M7, M8, M9, M10, M11, M12, M13)	M14 -	AWUF300516BG	
161	0160L00388	AIR FILTER 18X20X1 (M14, M15, M16, M17, M18, M19, M20, M21, M22, M23, M24, M25)	M15 -	AWUF300816BG	
181	0161A00068	PLUG-BUTTON (QTY 2)	M16 -	AWUF301016BG	
191	0161A00067	FLUSH PLUG	M17 -	AWUF310516AG	
201	0161A00068	PLUG-BUTTON (QTY 2)	M18 -	AWUF310816AF	
221	0128R00007	SHIELD, DRAINPAN	M19 -	AWUF321016AF	
251	0161R00021	DRAIN PAN LARGE (M14, M15, M16, M17, M18, M19, M20, M21, M22, M23, M24, M25)	M20 -	AWUF360516BG	
251	0161R00022	DRAIN PAN SMALL (M1, M2, M3, M4, M5, M6, M7, M8, M9, M10, M11, M12, M13)	M21 -	AWUF360816BG	
281	3701805	BRACKET, OFFSET (QTY 2)	M22 -	AWUF361016BG	
NS	3701203	FILTER SUPPORT SML (M1, M2, M3, M4, M5, M6, M7, M8, M9, M10, M11, M12, M13)	M23 -	AWUF370516BF	
			M24 -	AWUF370816BF	
			M25 -	AWUF371016BF	

WRAPPER ASSEMBLY

WRAPPER ASSEMBLY

WRAPPER AND DRAIN PAN ASSEMBLY
MAY DIFFER FROM WHAT IS SHOWN



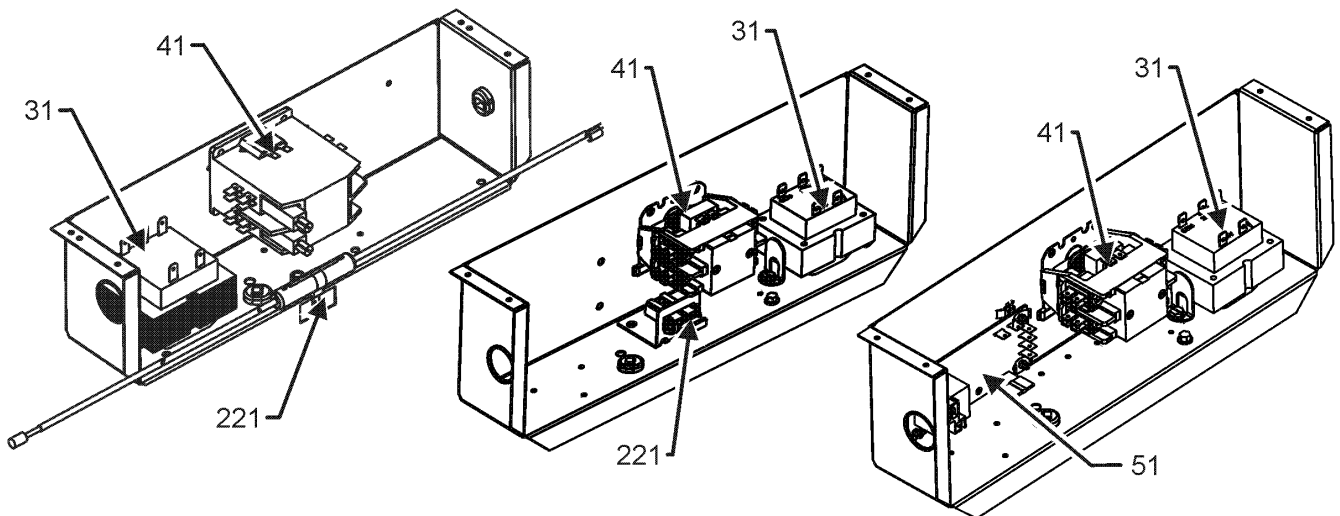
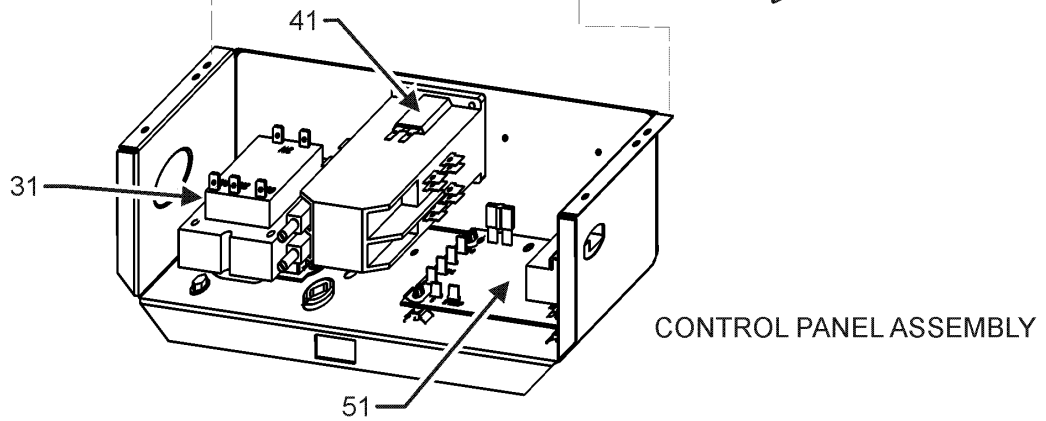
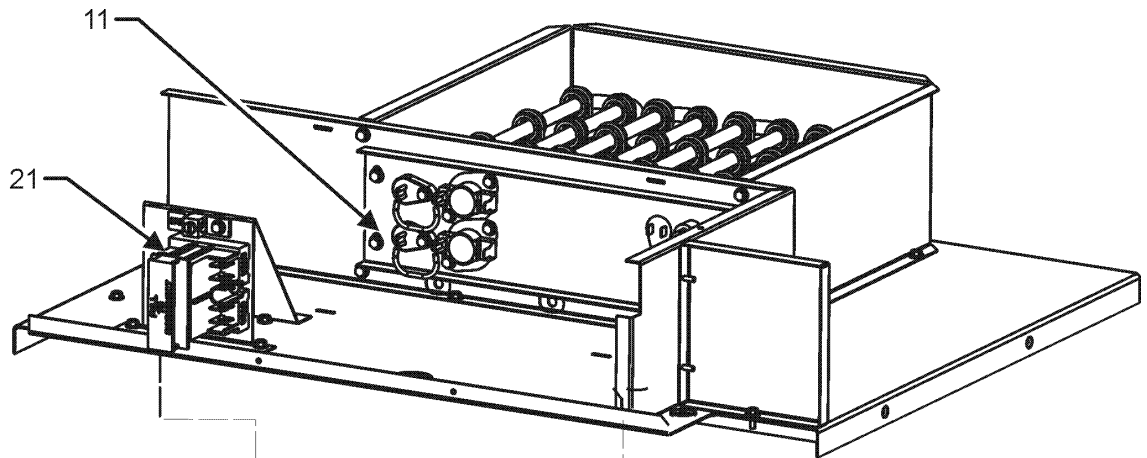
DRAIN PAN ASSEMBLY

EVAPORATOR COIL ASSEMBLY

Ref. Part No:	Ref. Part No:	Description:	Description:
Image 1:		Expanded Model Nomenclature	
31	0270A01153	COIL TUBING ASSY (M23, M24, M25)	M1 - AWUF180316BG
31	0270A01154	COIL TUBING ASSY (M1, M2, M3)	M2 - AWUF180516BG
31	0270A01168	COIL TUBING ASSY (M17, M18, M19)	M3 - AWUF180816BG
51	0121A01223	PLATE, BOTTOM TIE (M14, M15, M16, M17, M18, M19, M20, M21, M22, M23, M24, M25)	M4 - AWUF190316BB
51	0121A01224	PLATE, BOTTOM TIE (M1, M2, M3, M4, M5, M6, M7, M8, M9, M10, M11, M12, M13)	M5 - AWUF190516BB
71	3701500	ACCESS PANEL, DRAIN LRG (M14, M15, M16, M17, M18, M19, M20, M21, M22, M23, M24, M25)	M6 - AWUF190816BB
71	3701502	ACCESS PANEL, DRAIN SML (M1, M2, M3, M4, M5, M6, M7, M8, M9, M10, M11, M12, M13)	M7 - AWUF240516BG
81	BT1700051	CAP; LG. AIR HANDLER BOTTOM (M14, M15, M16, M17, M18, M19, M20, M21, M22, M23, M24, M25)	M8 - AWUF240816BG
81	BT1700050	CAP; SM. AIR HANDLER BOTTOM (M1, M2, M3, M4, M5, M6, M7, M8, M9, M10, M11, M12, M13)	M9 - AWUF241016BG
91	3702105	TOP WRAPPER LRG (M14, M15, M16, M17, M18, M19, M20, M21, M22, M23, M24, M25)	M10 - AWUF250316AD
91	3702104	TOP WRAPPER SML (M1, M2, M3, M4, M5, M6, M7, M8, M9, M10, M11, M12, M13)	M11 - AWUF250516AD
101	3701802	FILTER OFFSET BRACKET SML (M1, M2, M3, M4, M5, M6, M7, M8, M9, M10, M11, M12, M13)	M12 - AWUF250816AD
141	0164A00002	GROMMET	M13 - AWUF251016AD
151	0160L00139	AIR FILTER (M1, M2, M3, M4, M5, M6, M7, M8, M9, M10, M11, M12, M13)	M14 - AWUF300516BG
151	0160L00388	AIR FILTER 18X20X1 (M14, M15, M16, M17, M18, M19, M20, M21, M22, M23, M24, M25)	M15 - AWUF300816BG
NS	0163M00175	CAP WITH O-RING	M16 - AWUF301016BG
NS	B1787000	VALVE CORE	M17 - AWUF310516AG
			M18 - AWUF310816AF
			M19 - AWUF321016AF
			M20 - AWUF360516BG
			M21 - AWUF360816BG
			M22 - AWUF361016BG
			M23 - AWUF370516BF
			M24 - AWUF370816BF
			M25 - AWUF371016BF

HEATER PANEL ASSEMBLY

HEATER PANEL ASSEMBLY



ALTERNATE CONTROL PANEL ASSEMBLIES

CONTROL PANEL ASSEMBLY MAY DIFFER FROM WHAT IS SHOWN

HEATER PANEL ASSEMBLY

Ref. Part No:	Ref. Part No:	Description:	Description:
Image 1:			
11	BT1420028	ASM, HEATER(SMALL 3KW) (M1, M4, M10)	
11	BT1420032	ELEMENT, 4.8 KW LARGE HEATER (M14, M17, M20, M23)	
11	BT1420029	ELEMENT, 4.8 KW SMALL HEATER (M2, M5, M7, M11)	
11	BT1420033	ELEMENT, 7.3 KW HEATER (M15, M21)	
11	BT1420030	ELEMENT, 7.3 KW SMALL HEATER (M3, M6, M8, M12)	
11	BT1420040	ELEMENT, 7.3KW HEATER (M18, M24)	
11	BT1420034	ELEMENT, 9.8 KW HEATER (M16, M22)	
11	BT1420031	ELEMENT, 9.8 KW SMALL HEATER (M9, M13)	
11	BT1420039	ELEMENT, 9.8KW HEATER (M19, M25)	
21	0130A00091	DISCONNECT, PULL OUT	
31	0130M00138	TRANSFORMER, 208/230, 24V	
41	CONT2P040024V	CONTACTOR 40 AMP, 2P, 24V	
51	PCBFM103	PCB, TIME DELAY, EBTDR (M1, M2, M3, M7, M8, M9, M14, M15, M16, M20, M21, M22)	
221	0130M00488	FUSE HOLDER (M4, M5, M6, M10, M11, M12, M13, M17, M18, M19, M23, M24, M25)	
NS	0121A01591	BKT, LRG DISCONNECT MTG (M14, M15, M16, M17, M18, M19, M20, M21, M22, M23, M24, M25)	
NS	3701537	BKT, SML DSCNCT MTG (M1, M2, M3, M4, M5, M6, M7, M8, M9, M10, M11, M12, M13)	

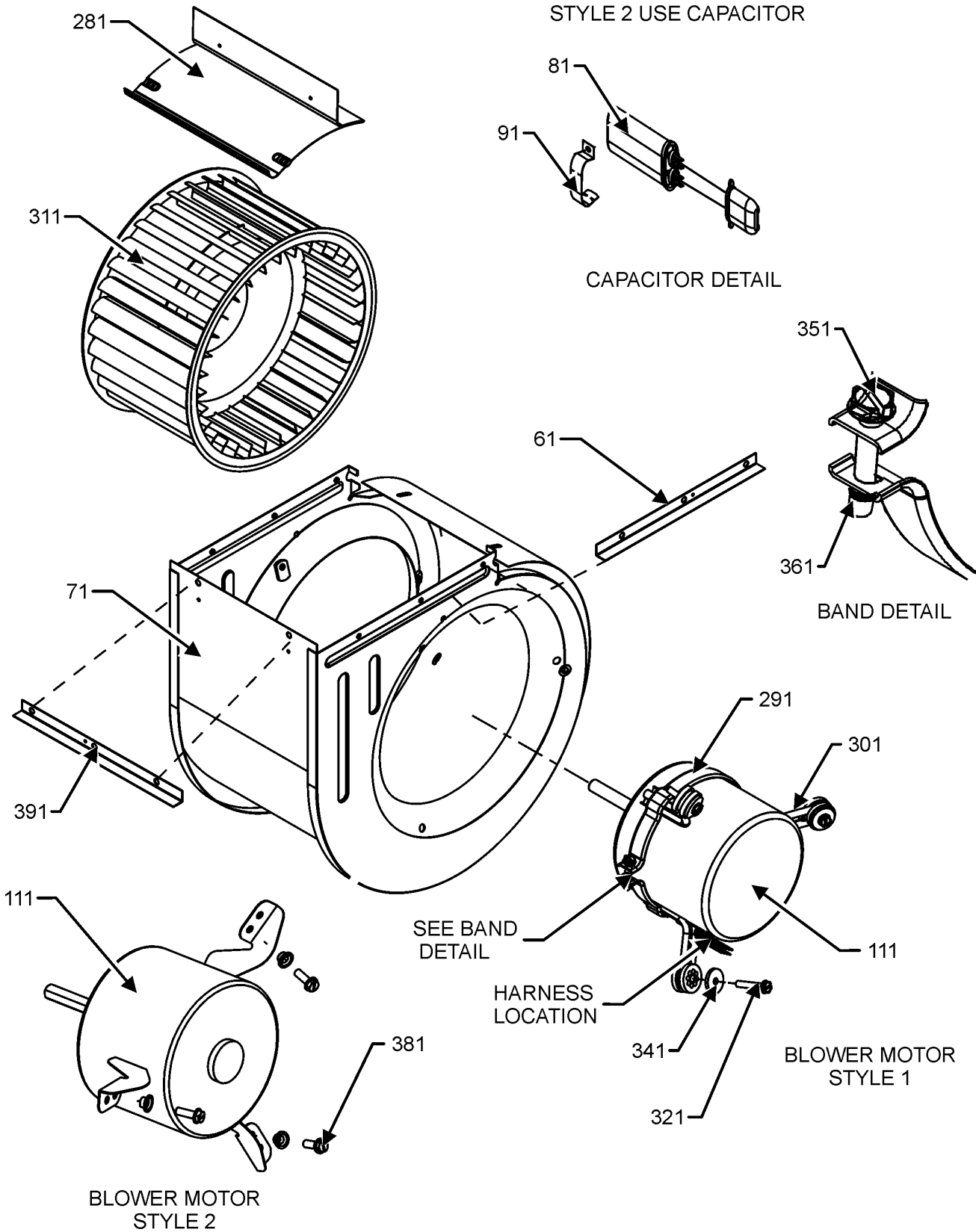
Expanded Model Nomenclature

M1 - AWUF180316BG
M2 - AWUF180516BG
M3 - AWUF180816BG
M4 - AWUF190316BB
M5 - AWUF190516BB
M6 - AWUF190816BB
M7 - AWUF240516BG
M8 - AWUF240816BG
M9 - AWUF241016BG
M10 - AWUF250316AD
M11 - AWUF250516AD
M12 - AWUF250816AD
M13 - AWUF251016AD
M14 - AWUF300516BG
M15 - AWUF300816BG
M16 - AWUF301016BG
M17 - AWUF310516AG
M18 - AWUF310816AF
M19 - AWUF321016AF
M20 - AWUF360516BG
M21 - AWUF360816BG
M22 - AWUF361016BG
M23 - AWUF370516BF
M24 - AWUF370816BF
M25 - AWUF371016BF

BLOWER ASSEMBLY

BLOWER ASSEMBLY

MODELS WITH BLOWER MOTOR
STYLE 2 USE CAPACITOR



BLOWER ASSEMBLY

Ref. Part No:	Ref. Part No:	Description:	Description:
Image 1:		Image 1:	
61	3702702	BLOWER ANGLE 6.063" (M1, M2, M3, M4, M5, M6, M7, M8, M9, M10, M11, M12, M13)	391 3702700 BLOWER ANGLE 9" (M1, M2, M3, M4, M5, M6, M7, M8, M9, M10, M11, M12, M13)
61	3702701	BLOWER ANGLE 8.531" (M14, M15, M16, M17, M18, M19, M20, M21, M22, M23, M24, M25)	NS 0130A00021 X-13 LOW VOLTAGE WIRE HARNESS (M17, M18, M19, M23, M24, M25)
71	3760200	WELDMENT, BLWR HSG. (M1, M2, M3, M4, M5, M6, M7, M8, M9, M10, M11, M12, M13)	NS 0130M00022 X-13 POWER HARNESS (M4, M5, M6, M10, M11, M12, M13, M17, M18, M19, M23, M24, M25)
71	3760202	WELDMENT, BLWR HSG. (M14, M15, M16, M17, M18, M19, M20, M21, M22, M23, M24, M25)	
81	CAP075000370LA	CAPACITOR 7.5/370V (M1, M2, M3, M7, M8, M9, M14, M15, M16, M20, M21, M22)	
91	3784800	CAPACITOR STRAP (M1, M2, M3, M7, M8, M9, M14, M15, M16, M20, M21, M22)	
111	0131M00879	MOTOR (M4, M5, M6)	
111	BT1340031	MOTOR, 1/3HP, 2SP, 6PL (M14, M15, M16, M20, M21, M22)	
111	0131A00032	MOTOR, 1/5HP, 2SP, 6PL (M7, M8, M9)	
111	0131A00026	MOTOR, 1/5HP, 2SP, 6PL (M1, M2, M3)	
111	0131M00739	MOTOR, 1/3HP BROAD OCEAN (M10, M11, M12, M13)	
111	0131M01020	MOTOR-PROGRAMMED (M17)	
111	0131M01021	MOTOR-PROGRAMMED (M18, M19)	
111	0131M01022	MOTOR-PROGRAMMED (M23, M24, M25)	
281	3739000	BLOWER CUT-OFF 6" (M1, M2, M3, M4, M5, M6, M7, M8, M9, M10, M11, M12, M13)	
281	3739002	BLOWER CUT-OFF LRG (M14, M15, M16, M17, M18, M19, M20, M21, M22, M23, M24, M25)	
291	0121M00038	MOTOR MOUNT BAND (M4, M5, M6, M10, M11, M12, M13, M17, M18, M19, M23, M24, M25)	
301	0171M00011	MOTOR MOUNT ARM (M4, M5, M6, M10, M11, M12, M13, M17, M18, M19, M23, M24, M25)	
301	0171M00012	MOTOR MOUNT ARM (M4, M5, M6, M10, M11, M12, M13)	
311	B1368042	BLOWER WHEEL (9 X 6) (M1, M2, M3)	
311	0150M00058	WHEEL, BLOWER (M17, M18, M19, M23, M24, M25)	
311	B1368036	WHEEL, BLOWER, 9X8 (M14, M15, M16, M20, M21, M22)	
311	0150M00061	WHEEL, BLOWER (M4, M5, M6, M7, M8, M9, M10, M11, M12, M13)	
321	M0250565	SCREW-TC 1.25" (M4, M5, M6, M10, M11, M12, M13, M17, M18, M19, M23, M24, M25)	
341	B1392918	WASHER, FLAT 1/4 ID X 1 OD (M4, M5, M6, M10, M11, M12, M13, M17, M18, M19, M23, M24, M25)	
351	B1393323	MACHINE SCREW HWH 1/4-20 X 1-1/2 BZ (M4, M5, M6, M10, M11, M12, M13, M17, M18, M19, M23, M24, M25)	
361	B1393800	LOCKNUT, NYLON, INSERT 1/4 (M4, M5, M6, M10, M11, M12, M13, M17, M18, M19, M23, M24, M25)	
381	M0250558	SCREW-TC H (M1, M2, M3, M7, M8, M9, M14, M15, M16, M20, M21, M22)	
391	3702705	BLOWER ANGLE 10" (M14, M15, M16, M17, M18, M19, M20, M21, M22, M23, M24, M25)	

Expanded Model Nomenclature

M1 - AWUF180316BG
M2 - AWUF180516BG
M3 - AWUF180816BG
M4 - AWUF190316BB
M5 - AWUF190516BB
M6 - AWUF190816BB
M7 - AWUF240516BG
M8 - AWUF240816BG
M9 - AWUF241016BG
M10 - AWUF250316AD
M11 - AWUF250516AD
M12 - AWUF250816AD
M13 - AWUF251016AD
M14 - AWUF300516BG
M15 - AWUF300816BG
M16 - AWUF301016BG
M17 - AWUF310516AG
M18 - AWUF310816AF
M19 - AWUF321016AF
M20 - AWUF360516BG
M21 - AWUF360816BG
M22 - AWUF361016BG
M23 - AWUF370516BF
M24 - AWUF370816BF
M25 - AWUF371016BF